

KADZAMA
TECHNOLOGY FOR SUCCESS

Guitar candy slicer

Manual



This manual is designed for study the main technical characteristics, operating principle and rules of technical operation of guitar candy slicer (string cutting).

Before use carefully read the instructions below!

Improper use of the equipment can be a source of danger. By starting work with the tool you confirm that you are fully acquainted with this manual and understood the rules of operation of the device.

KADZAMA appreciates your purchase and wishes you a pleasant work experience.

1 — Purpose of the device

The guitar candy slicer is designed for cutting filling, marmalade, souffle, biscuit, marzipan & ganache.

2 — Specifications

String thickness, [mm]	0,8
String material	Stainless steel Нерж. сталь
Bedplate, frames, removable plate material	Stainless steel Нерж. сталь
Bedplate size (L x W x H), [mm]	440 x 530 x 105
Cutting field size (L x W), [mm]	370 x 385
Removable plate size (L x W), [mm]	400 x 400
Frame size (L x W), [mm]	440 x 640
Dimensional size (L x W x H), [mm]	440 x 655 x 105
Weight (unpacked / in package), [kg]	17 / 22

3 — Configuration

Bedplate — 1 pc.

Frame at a pitch of 15 mm — 1 pc.

Frame at a pitch of 22,5 mm — 1 pc.

Frame at a pitch of 30 mm — 1 pc.

Removable plate — 1 pc.

Rack carriage — 1 pc. (add. option)

Manual — 1 pc.

Warranty card — 1 pc.

4 — Safety measures

Указания мер безопасности

4.1. Guitar candy slicer should be used only for its intended purpose.

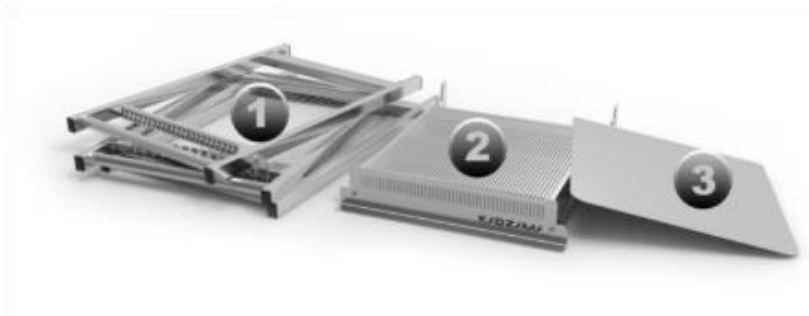
4.2. Use and store the guitar candy slicer in a place out of reach of children.

4.3. To avoid personal injury, do not leave the frame mounted on a bedplate in an upright position.

4.4. Do not use the guitar candy slicer at ambient temperatures below 10°C and above 40°C, and relative humidity above 80%.

4.5. Repair of the guitar candy slicer may only be provided with the assistance of qualified personnel of KADZAMA.

5 — Constructive elements description



1 — Frames

2 — Bedplate

3 — Removable plate

6 — Before start

6.1. Remove the packaging.

6.2.1. In the case of a set **without a carriage**:

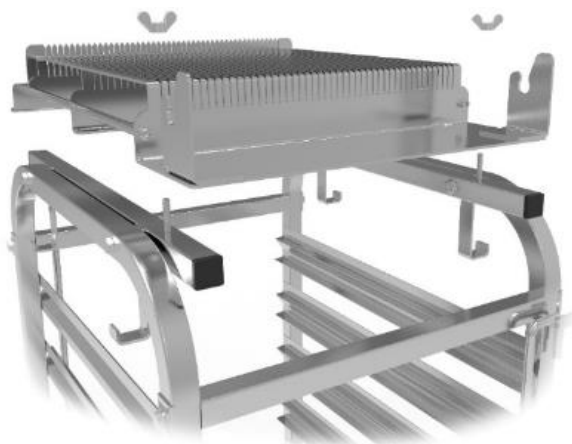
— Set guitar candy slicer on a flat hard surface, providing easy access for the frame movement.

6.2.2. In the case of a set **with a carriage**:

— Assemble the carriage as shown on the picture:



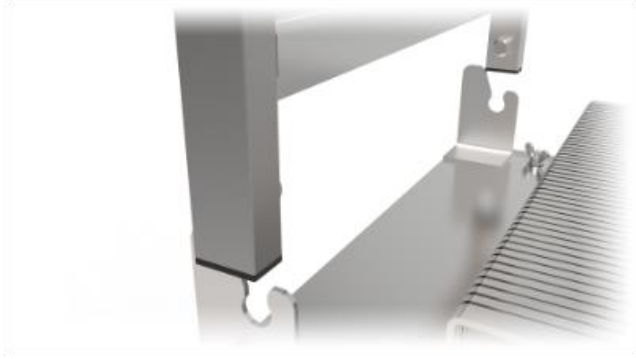
— Install the bedplate on the carriage, aligning the holes in the bedplate with the screws in the cart:



7 — Exploitation

Эксплуатация

- 7.1. Place the slice of material to be cut on the bedplate.
- 7.2. Select one of the three frames with the pitch you need and install it in the lugs of the bedplate, as on the picture:



7.3. Move the frame down on the slice of material even and securely, cutting it on equal pieces. Take off cut material with the removable plate.

7.4. Raise the frame to its original position. Change the frame if you need to change the cutting pitch. Remove all the dirt from the strings and bedplate.

7.5. Place the cut material on the bedplate at an angle (e.g. 90 degrees) to the cut line. Repeat steps **7.3** и **7.4**.

8 — Maintenance and care

Обслуживание и уход

8.1. During the work keep the guitar candy slicer clean.

8.2. It is allowed to wash bedplate, frames & removable plate under warm water and wash with detergents.

8.3. After washing all the parts, the guitar candy slicer must be wiped dry.

8.4. You can replace and tighten the string yourself if necessary (using a standard hex and wrench). To fix in a taut position after tightening, the cap nut must be tightened.

9 — Warranty

The warranty period (as well as the terms of warranty service) are specified in the warranty card.

10 — Certificate of acceptance

Guitar candy slicer complies with stated specifications and is recognized as serviceable.

kadzama.com

sales@kadzama.com

Meets certification requirements

