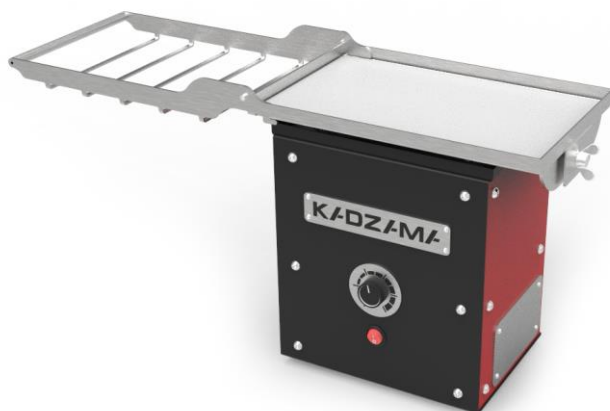


# **KADZAMA**

TECHNOLOGY FOR SUCCESS

## **Mini vibrating table for melter**

**Manual**



This manual is designed for study the main technical characteristics, operating principle and rules of technical operation of a mini vibrating table for melter.

**Before use carefully read the instructions below!**

Improper use of the equipment can be a source of danger. By starting work with the device you confirm that you are fully acquainted with this manual and understood the rules of operation of the device.

**KADZAMA appreciates your purchase and wishes you a pleasant work experience.**

## **1 — Purpose of the device**

Vibrating table is a small device that allows you to quickly and effectively get rid of air bubbles in chocolate products, which significantly reduces the operating time during the casting process. It has a smooth power control and a table that can be easily removed and washed.

## **2 — Specifications**

Power supply, [V] / [Hz]	220 / 50
Power intake (not more than), [kW / h]	0,1

Power control	Yes Да
Maximum mold size, [mm]	280 x 180
Dimensional size (L x W x H), [mm]	195 x 595 x 300
Weight (unpackaged / in package), [kg]	8 / 12

### **3 — Configuration**

Vibrating table — 1 pc.

Manual — 1 pc.

Warranty card — 1 pc.

### **4 — Safety measures**

4.1. Vibrating table is an electric appliance with a certain danger potential. When connecting the device to the electric grid, take all necessary precautions to avoid electric shock.

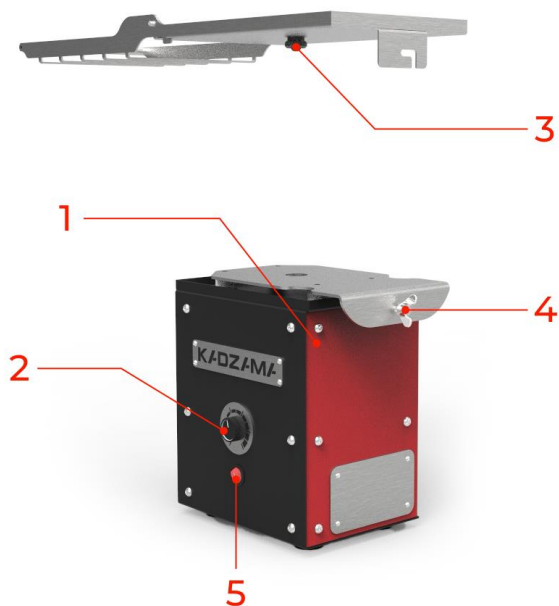
4.2. Vibrating table must be connected to the power supply and operated only by trained personnel.

4.3. It is not allowed to operate the vibrating table in the absence of electrical grounding («E» wire).

4.4. Vibrating table should be used only for its intended purpose.

- 4.5. Use and store the vibrating table in a place out of reach of children
- 4.6. Do not leave the vibrating table switched on without supervision for a long time.
- 4.7. Do not operate the vibrating table with wet hands.
- 4.8. Do not allow liquids inside the vibrating table.
- 4.9. Do not use the vibrating table at ambient temperatures below 10°C and above 40°C, and relative humidity above 80%.
- 4.10. When transporting the vibrating table at sub zero temperatures, prior to first use it should be kept at room temperature for at least 1 hour.
- 4.11. Any maintenance should be carried out when the vibrating table is disconnected from the power supply!
- 4.12. Repair or disassembly of the vibrating table may only be provided with the assistance of qualified personnel of KADZAMA.

## 5 — Constructive elements description



1 — Body

2 — Power control

3 — Removable table

4 — Retainer

5 — ON / OFF

## 6 — Before start

- 6.1. Remove the packaging.
- 6.2. Set the vibrating table on a flat hard surface, providing easy access to controls.
- 6.3. Make sure that the distance between the body and the nearest objects is at least 10 cm.
- 6.4. Plug the equipment into a 220V power supply.

## 7 — Exploitation

- 7.1. Set the removable table **(3)** on the body **(1)**, aligning the axis on the bottom of the table and the central hole of the mounting plate of the body, in this case, the L-shaped notch must get on the retainer screw **(4)**. Rotate the table around its axis and secure it with a retainer **(4)**.
- 7.2. Vibrating table is ready to use, turn it on with the power ON / OFF button **(5)**.
- 7.3. Select the vibration intensity you need with the power control **(2)**.
- 7.4. To get rid of air bubbles, place the chocolate-filled mold on any section of the table.
- 7.5. When making shell candies in polycarbonate molds, place a tank under the rods section of the table (for example, KADZAMA Wheeled chocolate molding machine, as in the picture below).

7.6. Place the chocolate-filled mold in the mat section to get rid of air bubbles and ensure the best quality of the candy shells. Then turn the mold over and move it to the rods section. Excess chocolate will be vibrated to drain into the tank.



## **8 — Maintenance and care**

8.1. During the operation keep the vibrating table clean.

8.2. It is allowed to wipe the body with a damp cloth, after disconnecting the vibrating table from the power supply.

8.3. It is allowed to wash removable table under warm water and wash with detergents. After washing, the removable table must be dried, and only then placed on the body.

8.4. Water is not allowed inside the vibrating table body.

## **9 - Warranty**

The warranty period (as well as the terms of warranty service) are specified in the warranty card.



## 10 — Certificate of acceptance

Свидетельство о приемке

Mini vibrating table for melter complies with stated specifications and is recognized as serviceable.

**kadzama.com**

[sales@kadzama.com](mailto:sales@kadzama.com)

---

**Meets certification requirements**

**CE EAC**